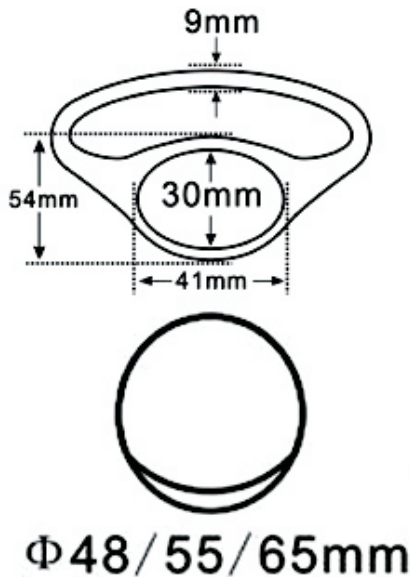


RFID SILICON WRISTBAND



Model:INNO-WB-SI03

►... Profile

This wristband is made of silicon and developed based on passive RFID Technology of EM (125Khz), MF (13.56Mhz) and UHF (860-960Mhz), which support ISO14443A, ISO/IEC15693 and ISO18000-6C/EPC Gen2 protocol. Flexible, waterproof silicone material makes it comfortable and durable for long lasting use and highest durability for most challenging activities. Widely used for parking and Payment, Club/SPA Membership Management, Rewards and Promotion system and access control, etc.

►... Key Features:

- Qualified silicon material makes it environmental friendly
- Flexible feature make it comfortable for large range of people
- External number for easy identification and access control
- Customized logo, sizes and colors available

►... Specification:

Physical specification	
Material	Silicon
Size	Φ48mm, φ55mm,φ65mm (customized size available)
Color	Red, Blue, Yellow (customized color available)
Available Crafts	silk-screen, Logo printing, number printing (inkjet printing or laser engraving), etc.
Performance Specification	
Frequency	125Khz / 13.56Mhz / 860-960Mhz
Available chips	EM (125Khz): TK4100, EM4200, EM4305, T5577, etc. MF (13.56Mhz): Mifare S50/S70,FM11R08/ UltralightEV1/Ultralight C/Ntag213/215/216, NXP Mifare desfireEV1 2K/4K/8K, etc.) UHF (860-960MHz): Alien H3/H9, NXP U8/U9, etc.
Protocol	EM (125Khz): 1-10CM MF (13.56Mhz): 1-10CM UHF (860-960Mhz): 1-15M

Environmental Specification

Working Temperature	-20°C~85°C
Storage Temperature	-25°C~85°C

Performance specification

Packing details

Gross weight	0.021kgs/pcs
Package	100pcs/pack, 1000pcs/carton
Carton size	52*24.5*32cm